

INCH-POUND  
 MS25081K  
 2 February 2004  
 SUPERSEDING  
 MS25081J  
 18 August 1977

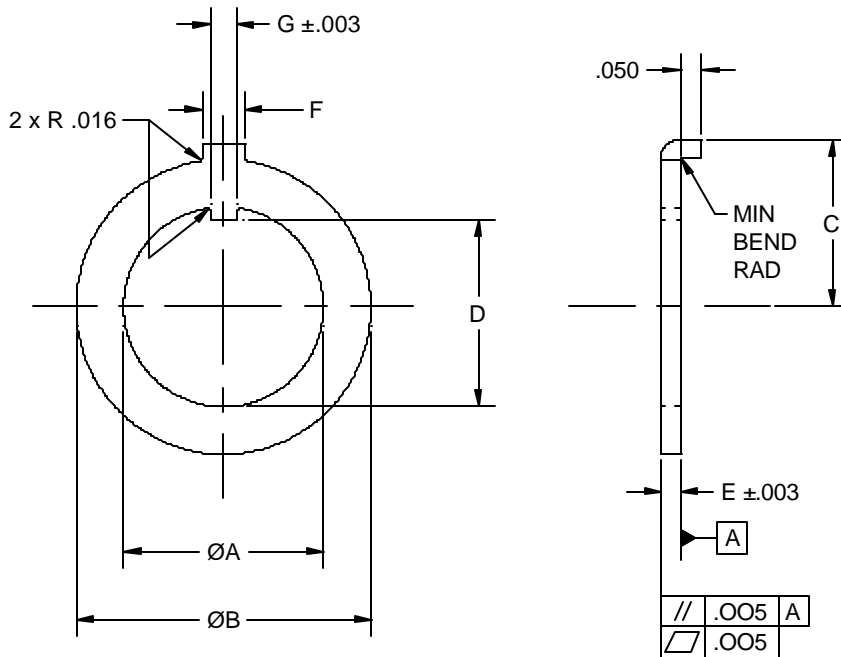
MS SPECIFICATION SHEET

WASHER, KEY

Reactivated after 2 February 2004 and may be used for new and existing designs and acquisitions.

This specification sheet is approved for use by all Departments and Agencies of the Department of Defense.

The requirements for acquiring the product described herein shall consist of this MS specification sheet.



MS25081K

TABLE I. Dash numbers and dimensions.

DASH NO		ØA	ØB	C	D		E	F	G
STEEL	CRES				MAX	MIN			
-0	C0	.255	.398	.263	.223	.220	.030	.062	.046
-4	C4	.475	.719	.392	.440	.433	.040	.110	.062
-5	C5	.631	.875	.517	.597	.589			
-6	C6	.652		.470	.605	.591			
-7	C7	.752	.984	.528	.707	.693			
-8	C8	1.010	1.250	.705	.965	.951			

REQUIREMENTS:

Marking: The washer shall be marked in accordance with MIL-STD-130.

Material: Carbon steel in accordance with QQ-S-698.  
Corrosion resistant steel (CRES), 304 (UNS S30400) in accordance with SAE-AMS-STD-66.

Finish: Carbon steel, cadmium plate in accordance with SAE-AMS-QQ-P-416, type II, class 3.  
CRES, passivate in accordance with SAE-AMS-QQ-P-35.

Tolerances: Unless otherwise specified, tolerances: .XXX ± .005.

Example of part number: MS25081-4 = Washer, cadmium plated carbon steel.  
MS25081C4 = Washer, corrosion resistant steel

Dimensions in inches.

Break sharp edges and remove all burrs.

Interpret drawing in accordance with ASME Y14.5M.

In the event of a conflict between the text of this document and the references cited herein the text of this document takes precedence.

Unless otherwise specified, issues of referenced documents are those in effect at the time of solicitation.

Changes from previous issue. Marginal notations are not used in this revision to identify changes with respect to the previous issue due to the extent of the changes.

MILITARY INTEREST

Custodians:  
Army – CR4  
Navy - AS  
Air Force – 99

Preparing activity:  
DLA - IS  
(Project 5310-2708)